

# General-purpose Relay MY


## An Improved Miniature Power Relay with Many Models for Sequence Control and Power Applications

- A wide range of relay variations including ones with operation indicators, built-in diodes, etc.
- Arc barrier standard on 3- and 4-pole Relays.
- Dielectric strength: 2,000 VAC.



## Ordering Information

### List of Models

| Type                                     | Contact form      | Plug-in socket/solder terminals   |                | PCB terminals | Upper-mounting/<br>solder terminals |
|--|-------------------|---|----------------|---------------|-------------------------------------|
|  |                   |  | With indicator |               |                                     |
| <b>Standard</b>                          | DPDT              | MY2   | MY2N           | MY2-02        | MY2F                                |
|  | DPDT (bifurcated) | MY2Z  | MY2ZN          | MY2Z-02       | MY2ZF                               |
|  | 3PDT              | MY3   | MY3N           | MY3-02        | MY3F                                |
|  | 4PDT              | MY4   | MY4N           | MY4-02        | MY4F                                |
|  | 4PDT (bifurcated) | MY4Z  | MY4ZN          | MY4Z-02       | MY4ZF                               |
| <b>With built-in diode<br/>(DC only)</b> | DPDT              | MY2-D   | MY2N-D2        | —             | —                                   |
|  | DPDT (bifurcated) | MY2Z-D  | MY2ZN-D2       | —             | —                                   |
|  | 3PDT              | MY3-D   | MY3N-D2        | —             | —                                   |
|  | 4PDT              | MY4-D   | MY4N-D2        | —             | —                                   |
|  | 4PDT (bifurcated) | MY4Z-D  | MY4ZN-D2       | —             | —                                   |
| <b>With built-in CR<br/>(AC only)</b>    | DPDT              | MY2-CR  | MY2N-CR        | —             | Not available.                      |
|  | DPDT (bifurcated) | MY2Z-CR   | —              | —             |                                     |
|  | 3PDT              | MY3-CR  | —              | —             |                                     |
|  | 4PDT              | MY4-CR  | MY4N-CR        | —             |                                     |
|  | 4PDT (bifurcated) | MY4Z-CR   | —              | —             |                                     |
| <b>With test button</b>                  | DPDT              | MY2I4   | MY2I4N         | —             | —                                   |
|  | 4PDT              | MY4I4   | MY4I4N         | —             | —                                   |

**Note:** 1. When ordering, add the rated coil voltage to the model number. Rated coil voltages are given in the coil ratings table.

Example: MY2, 6 VAC

Rated coil voltage

2. The standard contacts for MY2Z-series Relays and for the MY4Z are gold-plated.

## ■ Accessories (Order Separately)

### Sockets

| Poles | Front-mounting socket<br>(DIN-rail/screw mounting)                     | Back-mounting socket |          |                     |           |                  |
|-------|--|----------------------|----------|---------------------|-----------|------------------|
|       |  | Solder terminals     |          | Wire-wrap terminals |           | PCB<br>terminals |
|       |  | W/ clip              | W/o clip | W/ clip             | W/o clip  |                  |
| 2     | PYF08A<br>PYF08A-E (finger protection)<br>PYF08A-N (finger protection) | PY08                 | PY08-Y1  | PY08QN              | PY08QN-Y1 | PY08-02          |
| 3     | PYF11A   | PY11                 | PY11-Y1  | PY11QN              | PY11QN-Y1 | PY11-02          |
| 4     | PYF14A<br>PYF14A-N (finger protection)<br>PYF14A-E (finger protection) | PY14<br>PY14-3*      | PY14-Y1  | PY14QN              | PY14QN-Y1 | PY14-02          |

**Note:** \*1. Equipped with operation check terminal.

2. The PYF08A(-E), PYF11A, and PYF14A(-E) have been approved as individual sockets by UL S08 and CSA C22.2.

### Mounting Plates for Sockets

| Socket model   | For 1 socket | For 18 sockets | For 36 sockets |
|--|--------------|----------------|----------------|
| PY08, PY11, PY14, PY08QN(2),<br>PY11QN(2), PY14QN(2) | PYP-1        | PYP-18         | PYP-36         |

**Note:** PYP-18 and PYP-36 can be cut into any desired length in accordance with the number of sockets.

### Socket Hold-down Clip Pairing

| Relay type  | Poles | Front-connecting sockets<br>(rail-/screw-mounted) |        | Back-connecting sockets    |        |               |        |
|---|-------|---|--------|----------------------------|--------|---------------|--------|
|   |       | Socket  | Clip   | Solder/wire-wrap terminals |        | PCB terminals |        |
|   |       |   |        | Socket                     | Clip   | Socket        | Clip   |
| Standard, bifurcated contacts, operation indicator, built-in diode. | 2     | PYF08A-N,<br>PYF08A-E,<br>PYF08A                  | PYC-A1 | PY08(QN)                   | PYC-P  | PY08(QN)      | PYC-P  |
|   | 3     | PYF11A  |        | PY11(QN)                   |        | PY11(QN)      |        |
|   | 4     | PYF14A-N,<br>PYF14A-E,<br>PYF14A                  |        | PY14(QN)                   |        | PY14(QN)      |        |
| Test button   | 2     | PYF08A-N,<br>PYF08A-E,<br>PYF08A                  | PYC-A1 | PY08(QN)                   | PYC-P2 | PY08(QN)      | PYC-P2 |
|   | 3     | PYF11A  |        | PY11(QN)                   |        | PY11(QN)      |        |
|   | 4     | PYF14A-N,<br>PYF14A-E,<br>PYF14A                  |        | PY14(QN)                   |        | PY14(QN)      |        |
| CR circuit  | 2     | PYF08A-N,<br>PYF08A-E,<br>PYF08A                  | Y92H-3 | PY08(QN)                   | PYC-1  | PY08(QN)      | PYC-1  |
|   | 3     | PYF11A  |        | PY11(QN)                   |        | PY11(QN)      |        |
|   | 4     | PYF14A-N,<br>PYF14A-E,<br>PYF14A                  |        | PY14(QN)                   |        | PY14(QN)      |        |

# Specifications

## ■ Coil Ratings

|           | Rated voltage | Rated current |            | Coil resistance | Inductance (reference value) |                       | Must operate | Must release | Max. voltage | Power consum. (Approx.) |
|-----------|---------------|---------------|------------|-----------------|------------------------------|-----------------------|--------------|--------------|--------------|-------------------------|
|           |               | 50 Hz         | 60 Hz      |                 | Arm. OFF                     | Arm. ON               |              |              |              |                         |
| AC        | 6 V           | 214.1 mA      | 183 mA     | 12.2 Ω          | 0.04 H                       | 0.08 H                | 80% max.     | 30% min.     | 110%         | 1.0 to 1.2 VA (60 Hz)   |
|           | 12 V          | 106.5 mA      | 91 mA      | 46 Ω            | 0.17 H                       | 0.33 H                |              |              |              |                         |
|           | 24 V          | 53.8 mA       | 46 mA      | 180 Ω           | 0.69 H                       | 1.30 H                |              |              |              |                         |
|           | 50 V          | 25.7 mA       | 22 mA      | 788 Ω           | 3.22 H                       | 5.66 H                |              |              |              |                         |
|           | 100/110 V     | 11.7/12.9 mA  | 10/11 mA   | 3,750 Ω         | 14.54 H                      | 24.6 H                |              |              |              |                         |
|           | 110/120 V     | 9.9/10.8 mA   | 8.4/9.2 mA | 4,430 Ω         | 19.20 H                      | 32.1 H                |              |              |              |                         |
|           | 200/220 V     | 6.2/6.8 mA    | 5.3/5.8 mA | 12,950 Ω        | 54.75 H                      | 94.07 H               |              |              |              |                         |
| 220/240 V | 4.8/5.3 mA    | 4.2/4.6 mA    | 18,790 Ω   | 83.50 H         | 136.40 H                     | 0.9 to 1.1 VA (60 Hz) |              |              |              |                         |
| DC        | 6 V           | 150 mA        |            | 40 Ω            | 0.17 H                       | 0.33 H                | 10% min.     |              | 0.9 W        |                         |
|           | 12 V          | 75 mA         |            | 160 Ω           | 0.73 H                       | 1.37 H                |              |              |              |                         |
|           | 24 V          | 36.9 mA       |            | 650 Ω           | 3.20 H                       | 5.72 H                |              |              |              |                         |
|           | 48 V          | 18.5 mA       |            | 2,600 Ω         | 10.60 H                      | 21.00 H               |              |              |              |                         |
|           | 100/110 V     | 9.1/10 mA     |            | 11,000 Ω        | 45.60 H                      | 86.20 H               |              |              |              |                         |

- Note:**
1. The rated current and coil resistance are measured at a coil temperature of 23°C with tolerances of +15%/–20% for rated currents and ±15% for DC coil resistance.
  2. Performance characteristic data are measured at a coil temperatures of 23°C.
  3. AC coil resistance and impedance are provided as reference values (at 60 Hz).
  4. Power consumption drop was measured for the above data. When driving transistors, check leakage current and connect a bleeder resistor if required.

## ■ Contact Ratings

| Item                           | Double- or three-pole  |                                     | Four-pole  |                                     |
|--------------------------------|--|-------------------------------------|--|-------------------------------------|
|                                | Resistive load (cosφ = 1)                                      | Inductive load (cosφ=0.4, L/R=7 ms) | Resistive load (cosφ = 1)                                    | Inductive load (cosφ=0.4, L/R=7 ms) |
| <b>Rated load</b>              | 5 A, 220 VAC<br>5 A, 24 VDC                                    | 2 A, 220 VAC<br>2 A, 24 VDC         | 3 A, 220 VAC<br>3 A, 24 VDC                                  | 0.8 A, 220 V<br>1.5 A, 24 VDC       |
| <b>Carry current</b>           | 5 A  |                                     | 3 A  |                                     |
| <b>Max. switching voltage</b>  | 250 VAC<br>125 VDC   |                                     | 250 VAC<br>125 VDC   |                                     |
| <b>Max. switching current</b>  | 5 A  | 5 A                                 | 3 A  | 3 A                                 |
| <b>Max. switching capacity</b> | 1,100 VA<br>120 W  | 440 VA<br>48 W                      | 660 VA<br>72 W   | 176 VA<br>36 W                      |
| <b>Min. permissible load*</b>  | Standard type: 100 mA, 5 VDC<br>Bifurcated type: 100 μA, 1 VDC |                                     | Standard type: 1 mA, 1 VDC<br>Bifurcated type: 100 μA, 1 VDC |                                     |

\*Note: P level:  $\lambda_{60} = 0.1 \times 10^{-6}$  /operation, reference value

## ■ Characteristics

| Item                           | All relays   |
|--------------------------------|--|
| Contact resistance             | 50 mΩ max.   |
| Operate time                   | 20 ms max.   |
| Release time                   | 20 ms max.   |
| Max. operating frequency       | Mechanical: 18,000 operations/hr<br>Electrical: 1,800 operations/hr (under rated load)   |
| Insulation resistance          | 1,000 MΩ min. (at 500 VDC)   |
| Dielectric strength            | 2,000 VAC, 50/60 Hz for 1 min (1,000 VAC between contacts of same polarity)  |
| Vibration resistance           | Destruction: 10 to 55 Hz, 1.0-mm double amplitude<br>Malfunction: 10 to 55 Hz, 1.0-mm double amplitude   |
| Shock resistance               | Destruction: 1,000 m/s <sup>2</sup> (approx. 100G)<br>Malfunction: 200 m/s <sup>2</sup> (approx. 20G)  |
| Life expectancy                | See following table.   |
| Ambient operating temperature* | Single- and double-pole standard, bifurcated-contact, test-button, relays:<br>-55°C to 70°C (with no icing)<br>All other relays: -55°C to 60°C (with no icing) |
| Ambient operating humidity     | 35% to 85%   |
| Weight                         | Approx. 85 g   |

**Note:** The values given above are initial values.

### Life Expectancy Characteristics

| Relays   | Mechanical life<br>(at 18,000 operations/hr)                      | Electrical life<br>(at 1,800 operations/hr under rated load)             |
|--|---|--|
| Normal, With test button (except relays with operation indicator), With CR | AC: 50,000,000 operations min.<br>DC: 100,000,000 operations min. | 1-,2-,3-pole: 500,000 operations min.<br>4-pole: 200,000 operations min. |
| With operation indicator or built-in diode                                 | AC: 50,000,000 operations min.<br>DC: 100,000,000 operations min. | 1-,2-,3-pole: 500,000 operations min.<br>4-pole: 200,000 operations min. |
| With bifurcated contacts   | 2-pole: 50,000,000 operations min.<br>4-pole:                     | 2-pole: 200,000 operations min.<br>4-pole: 100,000 operations min.       |

**Note:** See following tables for real load life expectancies.

## ■ Life Expectancies Under Real Loads

### MY2

| Rated voltage | Load type   | Conditions  | Operating frequency         | Electrical life      |
|---------------|-------------|---|-----------------------------|----------------------|
| 100 VAC       | AC motor    | 50 W, 100 VAC single-phase with 2.8-A inrush current, 0.4-A carry current | ON for 2 s, OFF for 30 s    | 100,000 operations   |
|               |             | 50 W, 100 VAC single-phase with 1.6-A inrush current, 1-A carry current   | ON for 1 s, OFF for 30 s    | 300,000 operations   |
|               | AC solenoid | 24 W with 1-A carry current   | ON for 1.5 s, OFF for 1.5 s | 4,000,000 operations |

### MY4

| Rated voltage | Load type          | Conditions  | Operating frequency         | Electrical life      |
|---------------|--------------------|---|-----------------------------|----------------------|
| 100 VAC       | AC solenoid        | 50 VA with 2-A inrush current, 0.7A carry current     | ON for 1 s, OFF for 3 s     | 25,000 operations    |
|               | DC magnetic switch | 25 W with L/R = 40 ms, 0.2-A carry current            |                             | 500,000 operations   |
|               | AC magnetic switch | 35 VA with 1.5-A inrush current, 0.35-A carry current |                             |                      |
| 24 VDC        | DC solenoid        | 40 W with L/R = 10 ms, 1.6-A carry current            | ON for 0.5 s, OFF for 1.5 s | 5,000,000 operations |
|               |                    | 30 W with L/R = 10 ms with 0.34-A carry current       | ON for 0.5 s, OFF for 1.5 s | 6,000,000 operations |

### ■ Approved by Standards

Some MY Relays are available in models meeting various safety standards. When ordering, you must specify the desired standards. Refer to *Ordering Information* for specific models. Note that the rating recognized by the various standards sometimes vary from the ratings of the individual relays.

#### UL 508 Recognitions (File No. 41515)

| No. of poles | Coil ratings                 | Contact ratings   |
|--------------|------------------------------|---|
| 2            | 6 to 240 VAC<br>6 to 125 VDC | 5 A, 120 VAC resistive load<br>5 A, 28 VDC resistive load<br>5 A, 240 VAC inductive load  |
| 3            |                              | 5 A, 28 VDC resistive load<br>5 A, 240 VAC inductive load   |
| 4            | 6 to 240 VAC<br>6 to 125 VDC | 3 A 28 VDC resistive load<br>3 A 120 VAC inductive load<br>1.5 A, 240 VAC inductive load<br>5 A, 240 VAC inductive load (between contacts of same polarity)<br>5 A, 28 VDC resistive load (between contacts of same polarity)<br>0.2 A, 120 VDC |

#### LR (No. 563KOB-204524)

| Model  | No. of poles | Coil ratings                 | Contact ratings  |
|--------|--------------|------------------------------|--|
| MY□-LR | 2            | 6 to 240 VAC<br>6 to 120 VDC | 2 A, 30 VDC inductive load<br>2 A, 200 VAC inductive load                                      |
|        | 4            |                              | 1.5 A, 30 VDC inductive load<br>0.8 A, 200 VAC inductive load<br>1.5 A, 115 VAC inductive load |

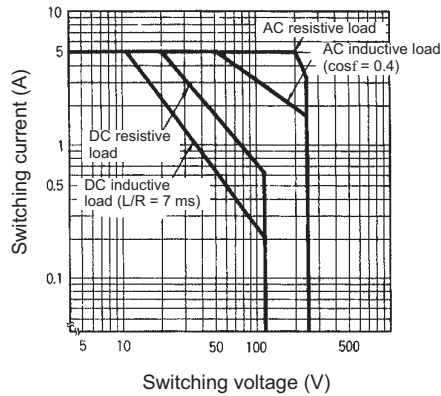
#### CSA 22.2 No. 0 and No.14 (File No. LR31928)

| Model | No. of poles | Coil ratings                 | Contact ratings   |
|-------|--------------|------------------------------|---|
| MY□   | 2, 3         | 6 to 240 VAC<br>6 to 120 VDC | 5 A, 28 VDC resistive load<br>5 A, 240 VAC inductive load   |
|       | 4            |                              | 3 A, 28VDC resistive load<br>3 A, 240 VAC inductive load<br>5 A, 240 VAC inductive load (between contacts of same polarity)<br>5 A, 28 VDC resistive load (between contacts of same polarity)<br>0.2 A, 120 VDC |

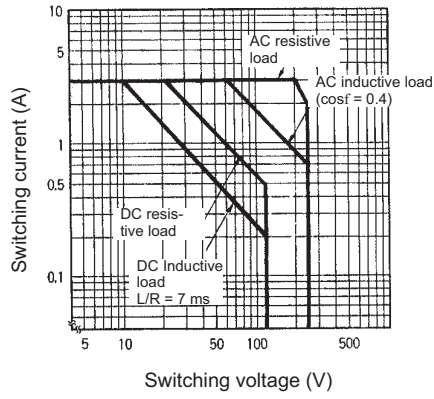
## Engineering Data

### ■ Maximum Switching Capacity

#### MY2, MY3

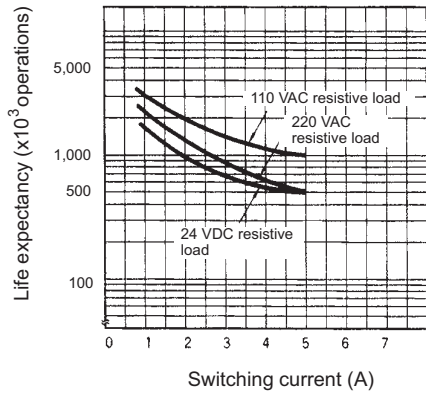


**MY4, MY4Z**

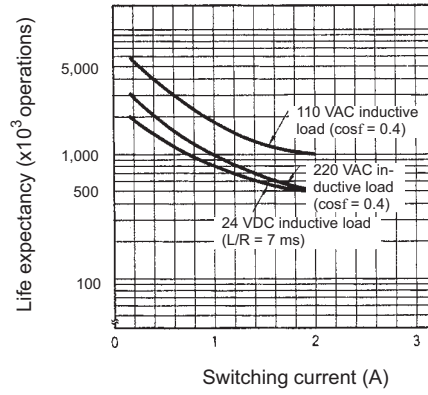


**Life Expectancy**

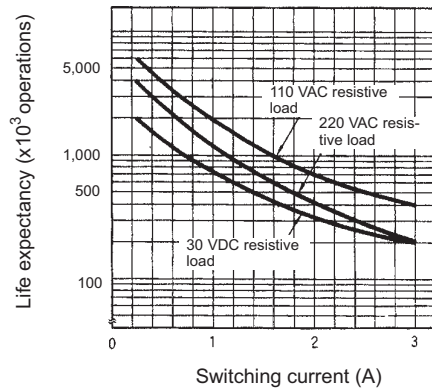
**MY2, MY3 (Resistive Loads)**



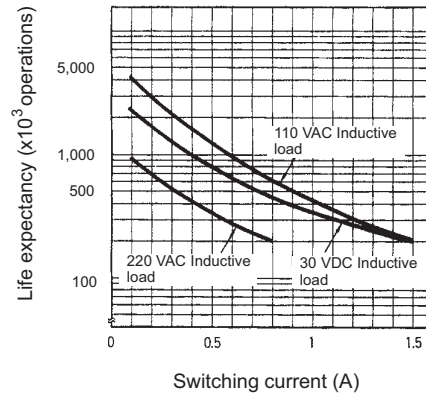
**MY2, MY3 (Inductive Loads)**



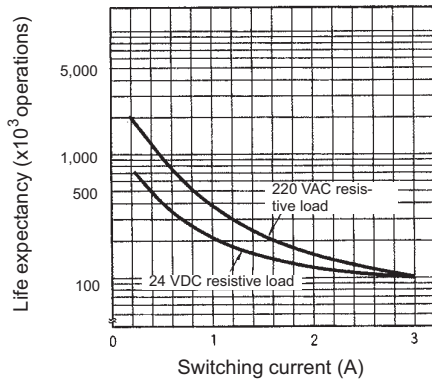
**MY4 (Resistive Loads)**



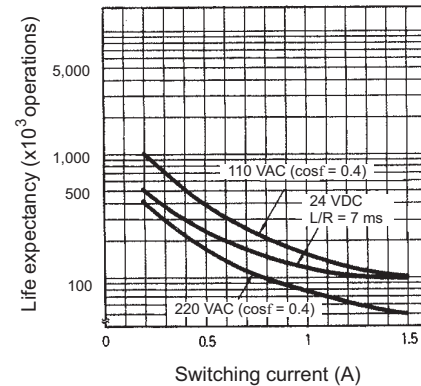
**MY4 (Inductive Loads)**



**MY4Z (Resistive Loads)**



**MY4Z (Inductive Loads)**

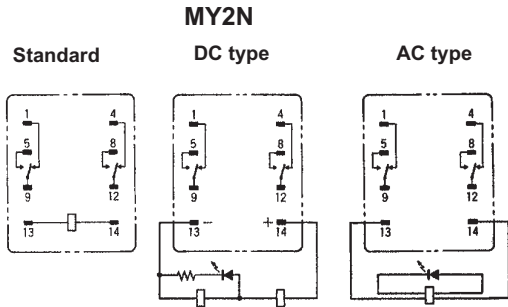
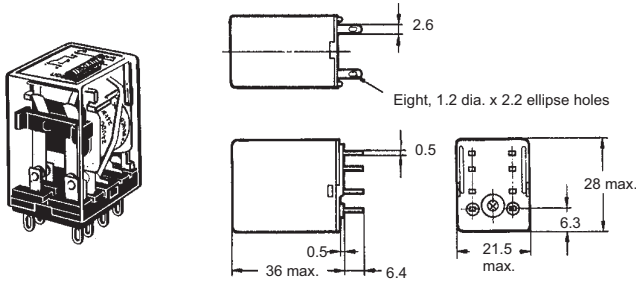


# Dimensions

Note: All units are in millimeters unless otherwise indicated.

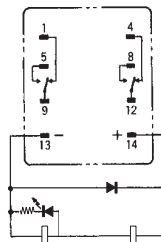
## Relays with Solder Terminals

### MY2, MY2N, MY2N-D2

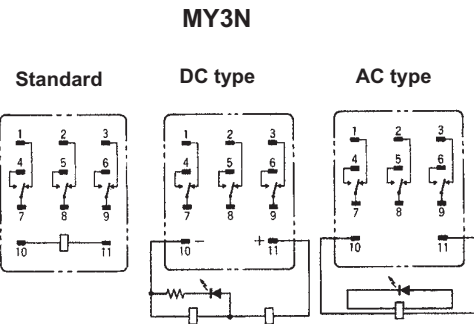
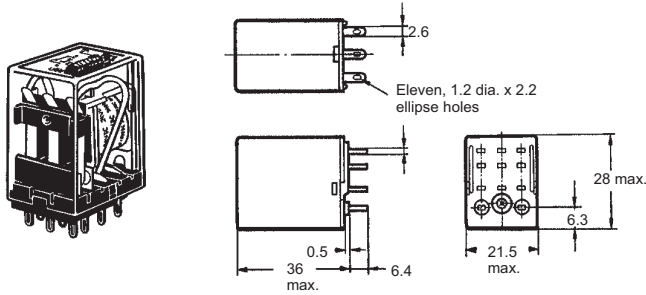


- Note:
1. AC type is equipped with a coil disconnection self-diagnostic function.
  2. Pay due attention as DC type has polarity.

### MY2N-D2

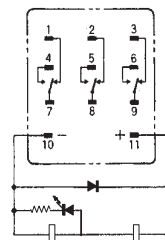


### MY3, MY3N, MY3N-D2,

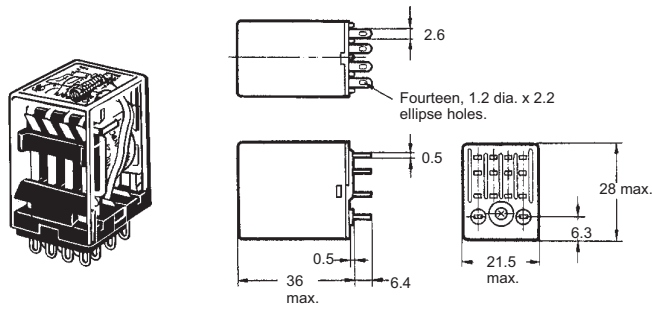


- Note:
1. AC type is equipped with a coil disconnection self-diagnostic function.
  2. Do not reverse the polarity of DC relays.

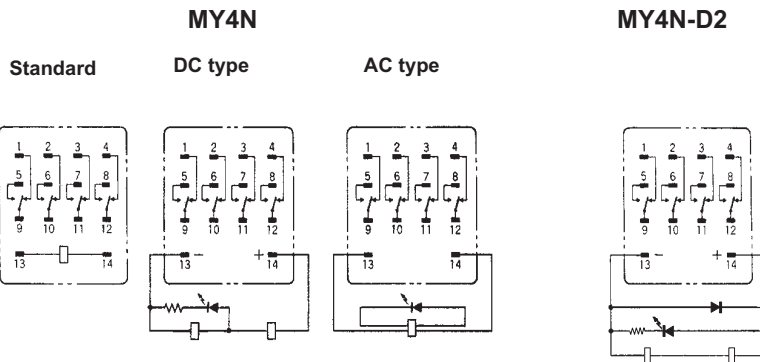
### MY3N-D2



MY4

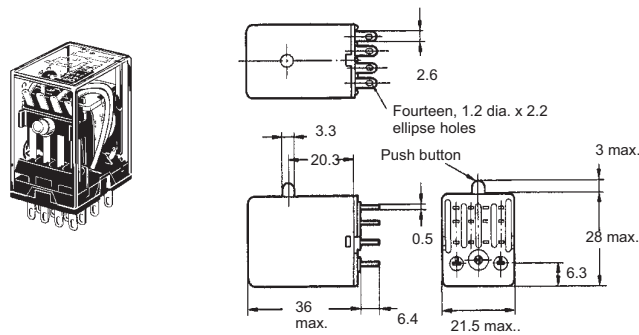


Terminal arrangement/internal connections  
(bottom view)



- Note:**
1. AC type is equipped with a coil disconnection self-diagnostic function.
  2. Do not reverse the polarity of DC relays.

MY□I4

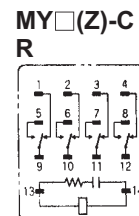
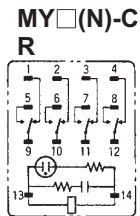
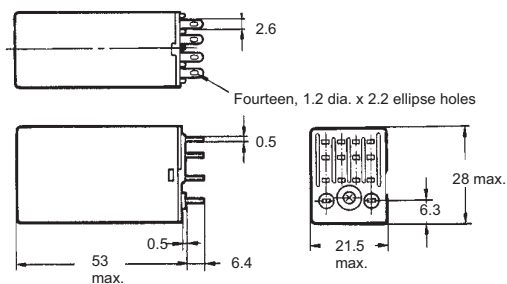


- Note:**
1. Mount the relay with a socket.
  2. Test button  
I4: AC with red push button  
DC with blue push button

**Note:** The terminal arrangement and internal connections of the above relays are as same as these of MY□ relays.

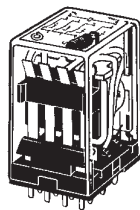


MY□(N)-CR, MY□(Z)-CR

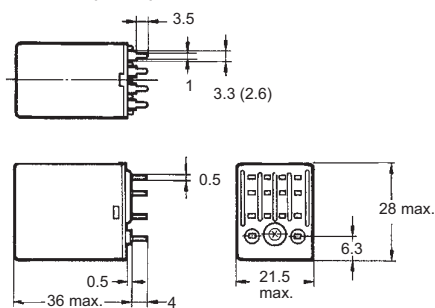


■ Relays with PCB Terminals

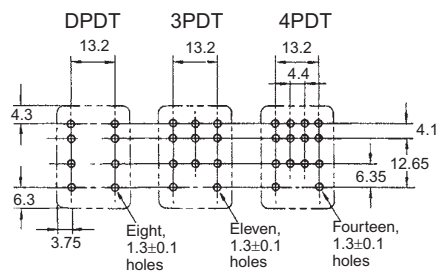
MY□-02



MY4-02 (4PDT)



PC Board Mounting Holes



Note: The tolerance is ±0.1.

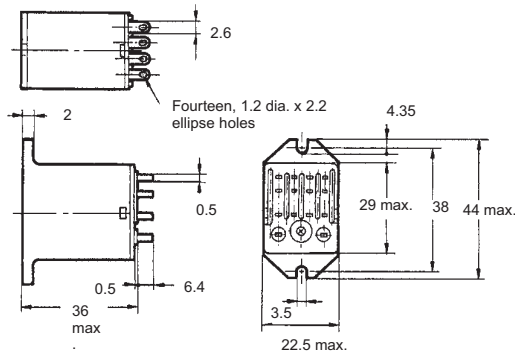
- Note:
1. The figures in the parentheses are for MY4-02.
  2. The above dimensions also apply to the DPDT and 3PDT Relays.
  3. The internal connections of the above Relays are as same as these of MY□ Relays.

## Upper-mounting Relays

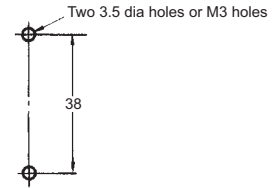
MY□F



MY4F



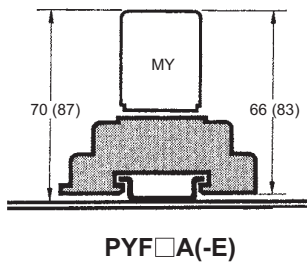
Mounting holes



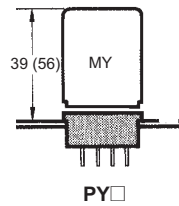
- Note:**
1. The above dimensions also apply to the DPDT, and 3PDT relays.
  2. The internal connections of the above relays are as same as these of MY□ relays.

## Mounting Height with Socket

DIN Track/Surface-mounting Socket



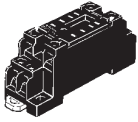
Back-mounting Socket



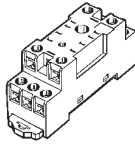
- Note:**
1. The PTF-A can be rail-mounted or screw-mounted.
  2. For the MY□-CR (CR circuit built-in type) model, figure in the parentheses apply.
  3. PYC-P hold down clip should be used with PYF08M.

**■ Sockets**

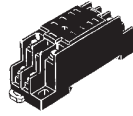
PYF08A-E



PYF08A-N



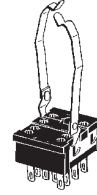
PYF08A



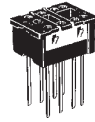
PY08



PY08-Y1



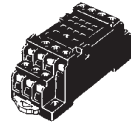
PY08QN



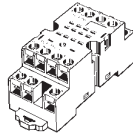
PY08-02



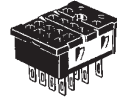
PYF14A-E



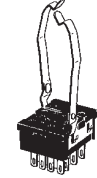
PYF14A-N



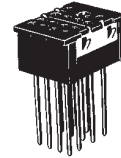
PY14



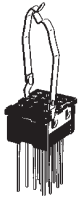
PY14-Y1



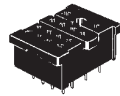
PY14QN(2)



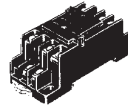
PY14QN(2)-Y1



PY14-02



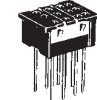
PYF11A



PY11



PY11QN(2)



PY11QN(2)-Y1

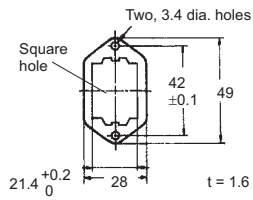


PY11-02

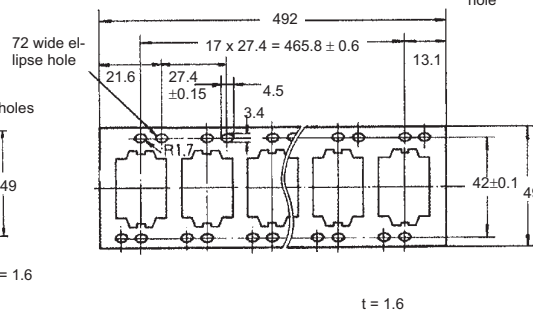


Mounting Plates for Sockets

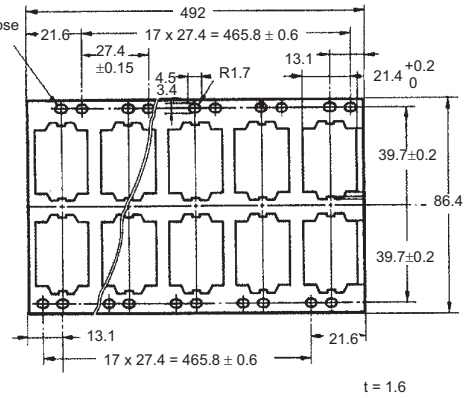
PYP-1



PYP-18



PYP-36

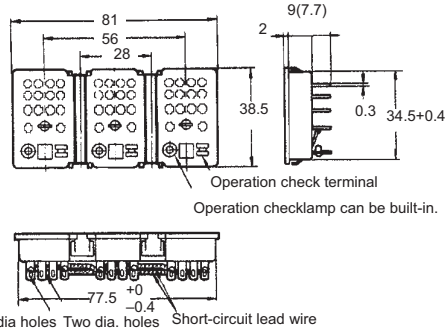
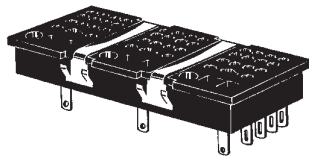


Hold-down Clips

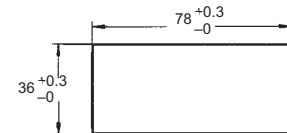
Hold-down clips are used to hold relays to sockets and prevent them from coming loose due to vibration or shock.

| Connection to socket |              | Connection to mounting plate |               | For relays with CR circuits |              |
|----------------------|--------------|------------------------------|---------------|-----------------------------|--------------|
| <b>PYC-A1</b>        | <b>PYC-P</b> | <b>PYC-S</b>                 | <b>PYC-P2</b> | <b>Y92H-3</b>               | <b>PYC-1</b> |
|                      |              |                              |               |                             |              |

PY14-3 (for 4PDT) with operation check terminal



Mounting holes



■ Safety Standards for Sockets

| Item                | Standards | File No. |
|---------------------|-----------|----------|
| PYF08A (-E), PYF11A | UL508     | E87929   |
| PYF14A (-E)         | CSA22.2   | LR31928  |

## Precautions

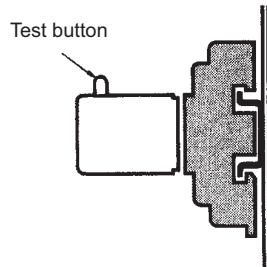
---

### ■ Connections

Do not reverse polarity when connecting DC-operated relays with built-in diodes or indicators DC-operated relays.

### ■ Mounting

- Whenever possible, mount relays so that it is not subject to vibration or shock in the same direction as that of contact movement.
- The test button should be pointed upwards when mounting (refer to the right figure).





*Singapore Office:*  
**OMRON ELECTRONICS PTE. LTD.**  
438A Alexandra Road, #05-05/08  
(Lobby 2) Alexandra Technopark  
Singapore 119967  
Tel: (65) 6547 6789  
Fax: (65) 6547 6769  
E-mail: [mktg\\_sg@ap.omron.com](mailto:mktg_sg@ap.omron.com)



*Malaysia Office:*  
**OMRON ELECTRONICS SDN. BHD.**  
1101 Level 11 Uptown 1  
1 Jalan SS21/58 Damansara Uptown  
47400 Petaling Jaya, Selangor  
Malaysia  
Tel: (60-3) 7688 2888  
Fax: (60-3) 7688 2833  
E-mail: [my\\_enquiry@ap.omron.com](mailto:my_enquiry@ap.omron.com)



*Thailand Office:*  
**OMRON ELECTRONICS CO. LTD.**  
Rasa Tower 20th Floor  
555 Phaholyothin Road  
Chatuchak, Bangkok  
10900, Thailand  
Tel: (66-2) 937 0500  
Fax: (66-2) 937 0501  
CRM Call Centre: (66-2) 942 6700  
E-mail: [th\\_enquiry@ap.omron.com](mailto:th_enquiry@ap.omron.com)



*Indonesia Office:*  
**PT. OMRON ELECTRONICS**  
Graha Pratama Building, 3A Floor  
Jl. M.T. Haryono Kav 15  
Jakarta Selatan 12810  
Indonesia  
Tel: (62-21) 8370 9555  
Fax: (62-21) 8370 9550  
E-mail: [id\\_enquiry@ap.omron.com](mailto:id_enquiry@ap.omron.com)



*Philippines Office:*  
**OMRON ASIA PACIFIC PTE. LTD.  
MANILA REPRESENTATIVE OFFICE**  
2nd Floor, Kings Court II Building  
2129 Do Chino Roces Avenue  
Corner Dela Rosa Street  
1231 Makati City, Metro Manila  
Philippines  
Tel: (63-2) 811 2831  
Fax: (63-2) 811 2583  
E-mail: [ph\\_enquiry@ap.omron.com](mailto:ph_enquiry@ap.omron.com)



*Australia Offices:*  
Sydney Office:  
**OMRON ELECTRONICS PTY. LTD.**  
Omron House  
71 Epping Road, North Ryde  
Sydney, New South Wales 2113  
Australia  
Tel: (61-2) 9878 6377  
Fax: (61-2) 9878 6981  
Toll Free: 1800 678838  
E-mail: [au\\_enquiry@ap.omron.com](mailto:au_enquiry@ap.omron.com)

Melbourne Office:  
**OMRON ELECTRONICS PTY. LTD.**  
Axxess Corporate Park  
Unit 98, 45 Gilby Road  
Mt Waverley Victoria 3149  
Australia  
Tel: (61-3) 8588 2600  
Fax: (61-3) 8588 2690  
E-mail: [au\\_enquiry@ap.omron.com](mailto:au_enquiry@ap.omron.com)

Brisbane Office:  
**OMRON ELECTRONICS PTY. LTD.**  
Unit 14, 1378 Lytton Road  
Hemmant 4174, Queensland  
Australia  
Tel: (61-7) 3859 3900  
Fax: (61-7) 3348 8701  
E-mail: [au\\_enquiry@ap.omron.com](mailto:au_enquiry@ap.omron.com)

Adelaide Office:  
**OMRON ELECTRONICS PTY. LTD.**  
Suite 12, 18 Humpheries Terrace  
Kilkenny, SA 5009  
Australia  
Tel: (61-8) 8440 6412  
Fax: (61-8) 8345 1204  
E-mail: [au\\_enquiry@ap.omron.com](mailto:au_enquiry@ap.omron.com)



*New Zealand Office:*  
**OMRON ELECTRONICS LTD.**  
65 Boston Road, Mt Eden  
Private Bag 92620  
Symonds Street, Auckland  
New Zealand  
Tel: (64-9) 358 4400  
Fax: (64-9) 358 4411  
E-mail: [nz\\_enquiry@ap.omron.com](mailto:nz_enquiry@ap.omron.com)



*India Offices:*  
Bangalore Office:  
**OMRON AUTOMATION PVT. LTD.**  
No. 43, G.N. Complex  
St.Johns Road  
Bangalore - 560 042  
India  
Tel: (91-80) 4072 6400/401  
Fax: (91-80) 4146 6403  
E-mail: [in\\_enquiry@ap.omron.com](mailto:in_enquiry@ap.omron.com)

Noida Office:  
**OMRON AUTOMATION PVT. LTD.**  
212 & 213, 2nd Floor  
International Home Deco Park (IHDP)  
Plot No.7, Sector 127, Taj Express Way  
Noida 201301  
India  
Tel: (91-120) 4745 800  
Fax: (91-120) 4745 801  
E-mail: [newdelhi\\_enquiry@ap.omron.com](mailto:newdelhi_enquiry@ap.omron.com)

Mumbai Office:  
**OMRON AUTOMATION PVT. LTD.**  
102 & 103, Meadows, Sahar Plaza,  
Andheri-Kurla Road, Andheri East  
Mumbai - 400 059  
India  
Tel: (91-22) 4275 5600  
Fax: (91-22) 4275 5602  
E-mail: [mumbai\\_enquiry@ap.omron.com](mailto:mumbai_enquiry@ap.omron.com)



*Vietnam Offices:*  
**OMRON ASIA PACIFIC PTE. LTD.  
HANOI REPRESENTATIVE OFFICE**  
6th Floor, 92 Hoang Ngan Street  
Trung Hoa, Cau Giay  
Hanoi, SR Vietnam  
Tel: (84-4) 3556 3444  
Fax: (84-4) 3556 3443  
E-mail: [hn\\_enquiry@ap.omron.com](mailto:hn_enquiry@ap.omron.com)

**HO CHI MINH REPRESENTATIVE OFFICE**  
99 Nguyen Thi Minh Khai Street  
District 1, Ho Chi Minh City  
SR Vietnam  
Tel: (84-8) 3839 6666  
Fax: (84-8) 3830 1279  
E-mail: [hcm\\_enquiry@ap.omron.com](mailto:hcm_enquiry@ap.omron.com)

Asia Pacific Head Office:

## OMRON ASIA PACIFIC PTE. LTD.

438A Alexandra Road  
#05-05/08  
(Lobby 2) Alexandra Technopark  
Singapore 119967  
Tel: (65) 6835 3011 Fax: (65) 6835 2711  
E-mail: [ask@ap.omron.com](mailto:ask@ap.omron.com)

Website: [www.omron-ap.com](http://www.omron-ap.com)

Authorized Distributor